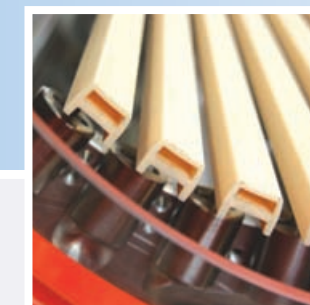


## Corona-Station AVE-300D / 400C

High-performance corona treatment systems for extrusion-coating, large laminating machines and fast PP production lines



### Technical data

	AVE-300D	AVE-400C
B x H [ mm ]	1000 x 1000	1300 x 1030
Length [ mm ]	Working width + 2000	
Treatment	Single-sided	
Treatment roller diameter	ø 300	ø 400
- optional with water-cooling. Connection:	1.5 inch	
Synchronous drive for the treatment roller	optional	
High-efficiency ceramic electrodes	2 x 7	2 x 9
- or stainless-steel pipe electrodes	2 x 14	2 x 18
Roller rotation monitor	yes	
Fast-open during splicing operation	yes	
Ozone extraction monitor	yes	
Viewing window in electrode housing	yes	
Swivel-mounted electrode housing	yes	
Robust construction in stainless-steel and aluminum	yes	
Pneumatic supply connection	6 - 10 bar	
Ozone extraction connection hose ø [mm]	160	

#### Further products:

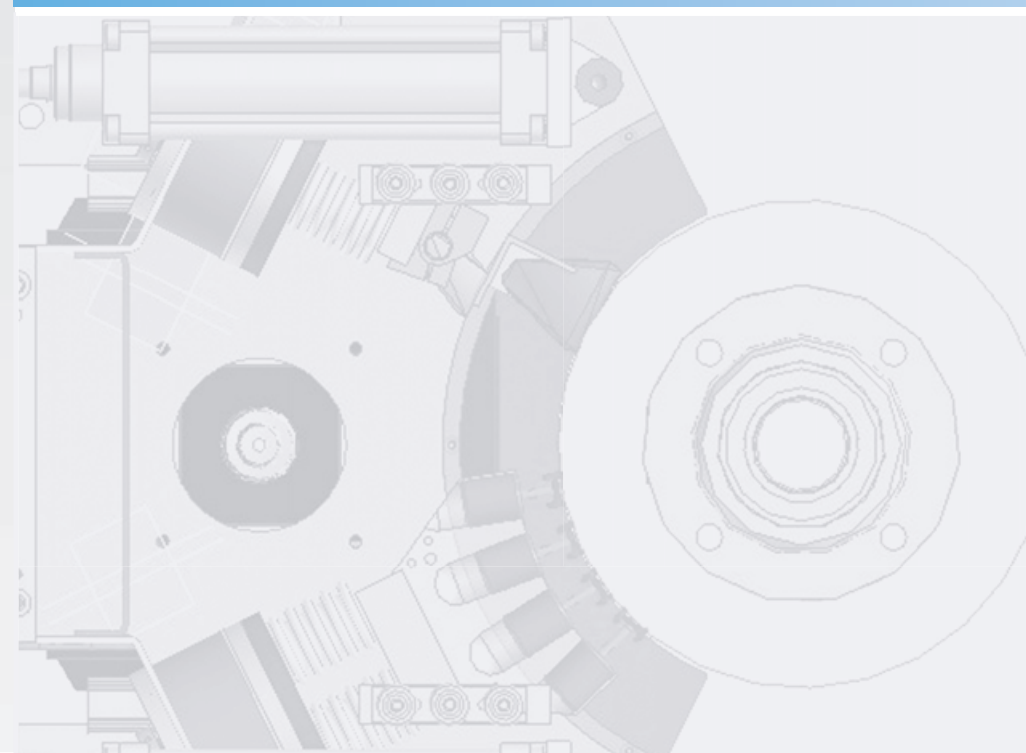
- Corona treatment systems for printing and laminating machines, blown-film lines, cast-film and pipe extruders.
- Hot and cold-needle perforation machines



Entwicklungs + Vertriebs GmbH

Industriegebiet Vogelsang  
D-86356 Neusäß  
Telefon: +49 700 / AFSPHONE  
+49 821 / 48076 - 0  
Telefax: +49 821 / 48076 - 45  
www.AFS.biz

AFS GmbH, 2007, AFS reserve the right to make changes

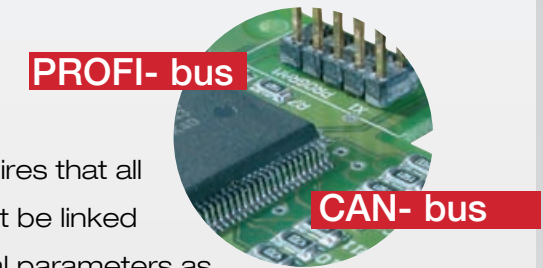




Corona treatment systems for the most demanding of applications:

# AVE-300D and AVE-400C

Together with our S-series generators, these treatment stations represent the most technically advanced corona treatment systems available today. The energy taken from the mains supply is especially efficiently converted into corona power, and this together with the enormous reliability of our systems produces an economical solution together with lower running costs. The extensive system monitoring together with an intuitive operator control will especially please production personnel.



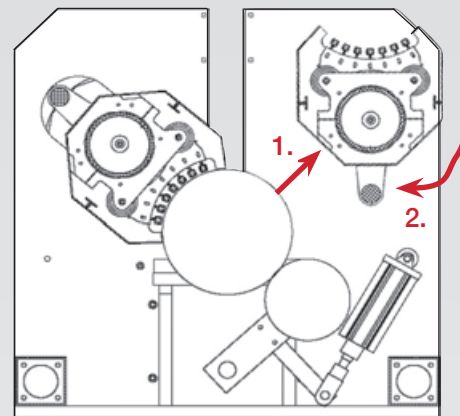
Complete system integration is now commonplace, and this naturally requires that all components of a production line must be linked together. We make all relevant internal parameters as well as treatment system control available to you, either via Profibus or Can Open.

## Best Treatment Results

### High-Performance

We only use the highest quality materials for our products, and components from renowned suppliers. Together with our modern generators, our systems can be used at the fastest production speeds.

### Simple Cleaning



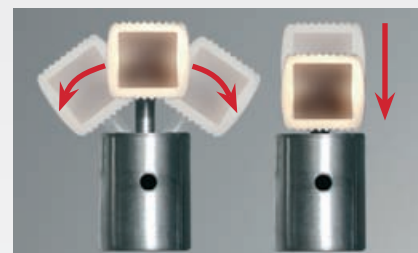
Sectional view of a swung-back electrode assembly

The electrode bars can become badly soiled during production, especially with extrusion-coating lines, and as a result require regular cleaning. Our systems allow the complete electrode assembly to be rotated through 180° with one simple action. The electrodes are, as a result, freely accessible, and can be quickly and thoroughly cleaned. It is often sufficient to operate the system with only one electrode assembly, so that the unused assembly can be cleaned without even stopping production!

### Electrode Protection

Bunched web material passing into the treatment station is a constant danger for corona electrodes, but this is practically eliminated in our systems, thanks to the patented Smart Hinge electrode holder, which allows each electrode bar to swing back both axially and radially. The system is available for both ceramic and stainless-steel electrodes.

If a thickened section of web material is produced during a splicing operation, an external signal can command the treater to momentarily open and close. The total duration is 0.5 seconds for a 2000mm treater. That means very little wasted material.



Smart hinge principle

### High-quality

AFS is the only treatment system manufacturer to offer a 2-year guarantee on all of its products. This says much about the reliability and long life expectancy of our products.



We guarantee the highest precision, together with the use of the highest quality materials.

And most important - a worldwide service network is available should an AFS machine stop running, or should service be required.

For web materials with differing thicknesses and variable widths, the double-barrier principle (i.e. ceramic electrodes in combination with a ceramic-coated treatment roller) guarantees an even and homogeneous corona treatment across the complete web material.

The hard ceramic coating also protects the roller from damage which can sometimes occur from sharp-edged materials.

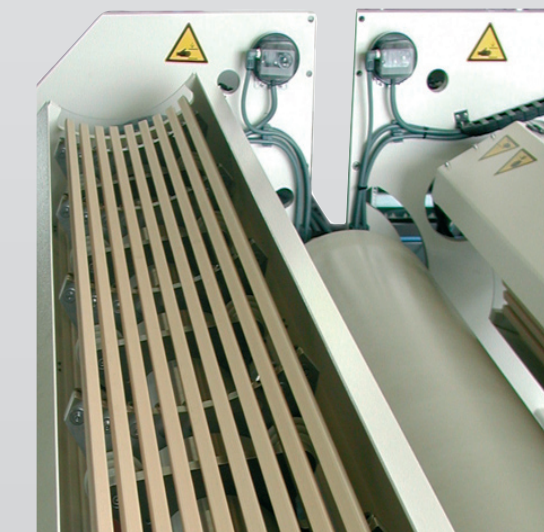
We also supply treatment stations with stainless-steel electrodes and silicone-rubber coated treatment rollers for fast-running cast PP lines.

A motor-drive ensures perfect synchronisation between the web material and the treatment roller.

To ensure good protection against physical contact and electromagnetic radiation, the

complete electrode assembly is enclosed in a meta housing. Although this increases the complexity of the design, it is the only way to ensure a continuous safe and fault-free operation.

The high-voltage transformer is mounted directly onto the electrode housing, avoiding the use of dangerous free-hanging high-voltage connections.



Ceramic electrode assembly swung open in the maintenance position

Ceramic electrodes mounted on individual Smart Hinges